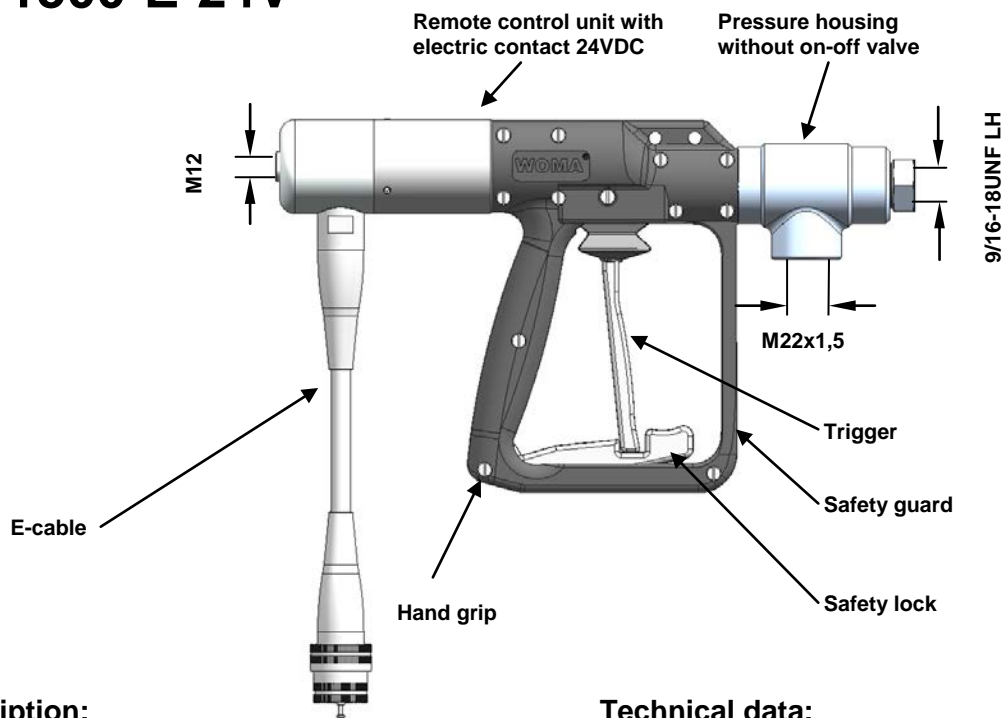


# High Pressure Gun

## HP 1500-E-24V



### Description:

The HP 1500-E-24V is a high pressure jetting gun without on-off valve, which incorporates a low voltage micro switch into its design.

Via the micro switch the high-pressure operation of the unit can be switched on or off. This facilitates work and increases worker safety.

Standard equipment includes; a trigger safety guard and latching trigger lock to prevent unintentional use, forged steel pressure housing and light weight polymerized hand grip.

### Advantages:

High safety standard.

Turnable hand grip for easy operation.

Full encapsulated polymerized hand grip offers high tensile strength and excellent resistant to most chemicals.

All functional parts are protected from dirt and water invasion.

### Technical data:

Material-No.:	9.871-330.0
Operating pressure:	max. 1500 bar
Medium temperature:	max. +100°C
Recoil force perm. <b>without</b> body support:	max. 150 N
Recoil force perm. <b>with</b> body support:	max. 250 N
Pressure loss:	5 bar at 30 l/min
Weight:	appr. 2,2 kg
Length:	appr. 392 mm
Height:	appr. 196 mm
Width:	appr. 72 mm

# HP 1500-E-24V - Components

Nozzle connection	
Material No.	Nozzle form
9.873-090.0	1 and 8
9.872-008.0	4 and 19
9.878-291.0	21

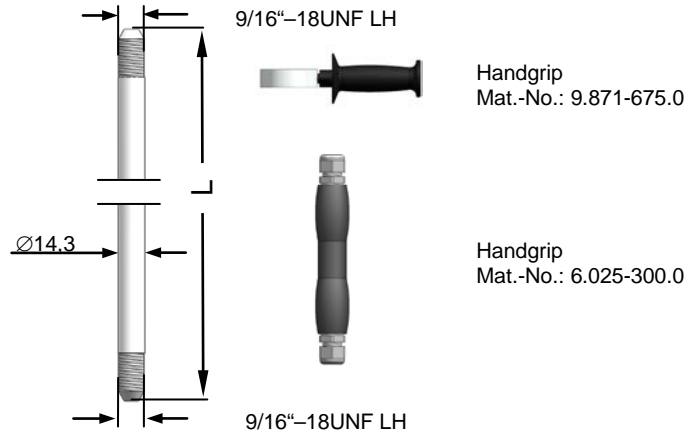
Nozzle connection for nozzle form 4  
for coherent jet forming  
Mat.-No.: 9.872-183.0

Orbimaster

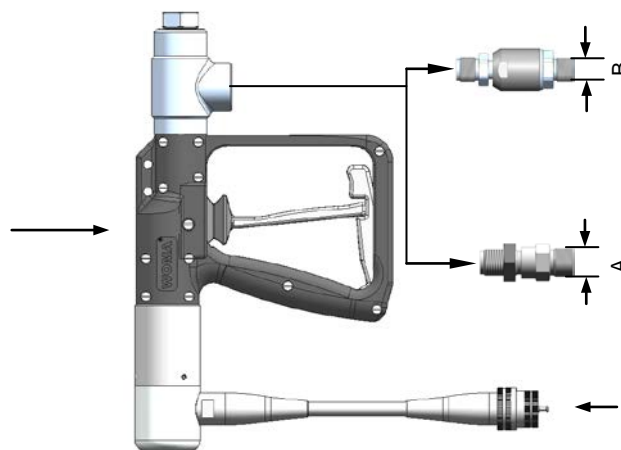
Turbo Nozzle



Nozzle pipe		Weight
Material No.	L (mm)	kg
9.891-181.0	300	0,26
9.891-182.0	500	0,43
9.891-183.0	750	0,64
9.891-184.0	1000	0,85
9.891-207.0	1500	1,30
9.891-185.0	2000	1,69
9.891-186.0	3000	2,53
9.891-187.0	4000	3,37
9.891-188.0	5000	4,21
9.891-189.0	6000	5,05
9.891-383.0	7000	5,89



Gun housing cpl. HP 1500-E-24V  
Mat.-No.: 9.871-330.0  
Weight: appr. 2,2 kg



Turnable hose connection	
Material No.	B
9.872-624.0	M22x1,5 24° DK
9.872-436.0	M22x1,5 60° DK
9.872-437.0	M24x1,5 24° DK
9.872-438.0	G1/2 60° DK

Hose connection	
Material No.	A
9.871-967.0	M22x1,5 24° DK
9.871-968.0	M22x1,5 60° DK
9.871-969.0	M24x1,5 24° DK
9.871-970.0	G1/2 A 60° DK
9.871-971.0	G3/4 A 60° DK

Body support  
Mat.-No.: 6.025-301.0  
Weight: appr. 0,73 kg

