

Centering carriage

6-wheels Ø 410 - 1,500 mm

The centering carriage keeps a centric positioning of different water tools in round containers or pipes. It allows the variable setting of diameters in the range of 410 - 1,500 mm via shear mechanism.

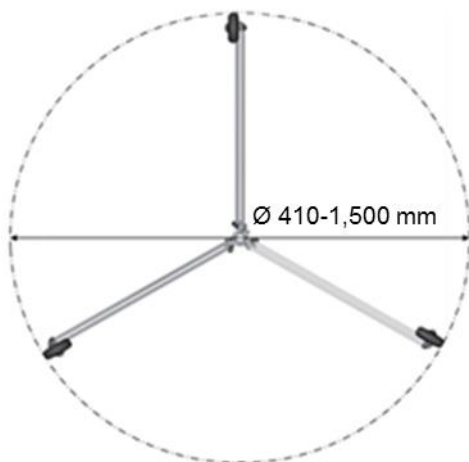
Special benefits

- Variable setting between Ø 410 - 1,500 mm
- Easy setup
- Central positioning of different water tools

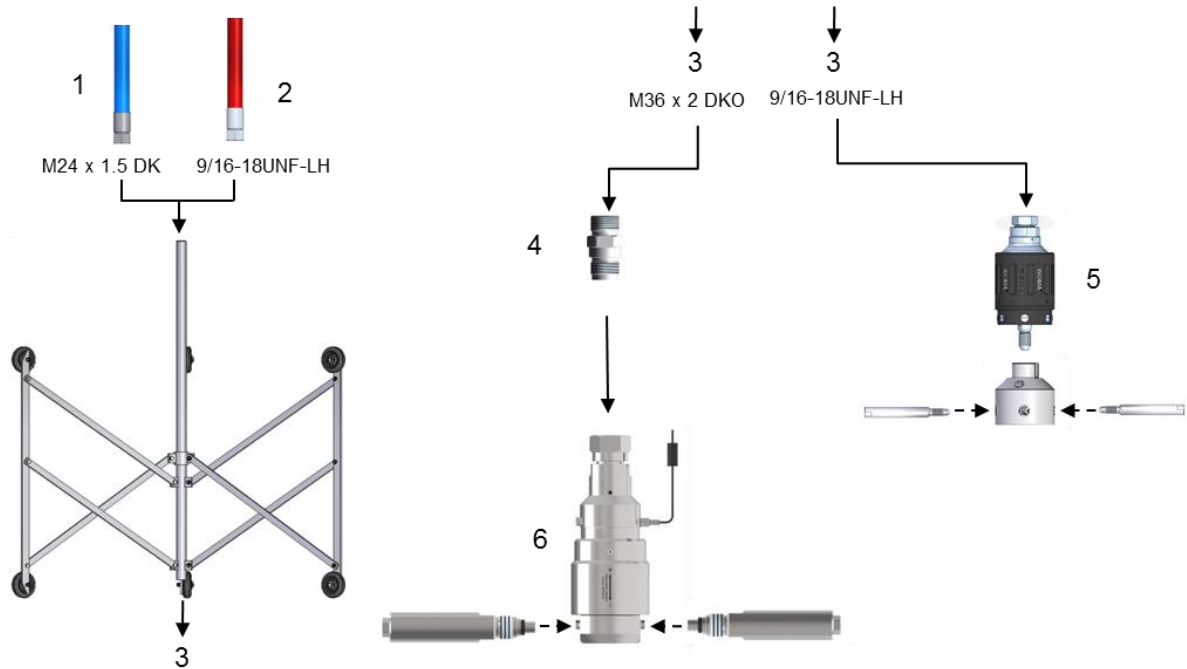


Technical Data		
Operating pressure	max.	3,000 bar
Diameter	ca.	410 - 1,500 mm
Length	approx.	1,346 mm
Weight	approx.	18 kg

Variants		
Type	1500 bar	3000 bar
Material no.	9.918-038.0	9.918-054.0
Operating pressure max.	1,500 bar	3,000 bar
Hose connection	M24 x 1.5 DK	9/16"-18 UNF-LH
Tool connection	M36 x 2 DKO	9/16"-18 UNF-LH



Accessories



Sample configuration for Surface cleaning

	Description	Material no.
1	Hose 1,500 bar	-
2	Hose 3,000 bar	-
3	Tool connection	-
4	Double Nipple	9.877-919.0
5	Turbo nozzle TD 3000 S	9.873-203.0
6	Turbo nozzle TD 1200 S	9.914-473.0